

# CUTTER RSU 180 PLUS

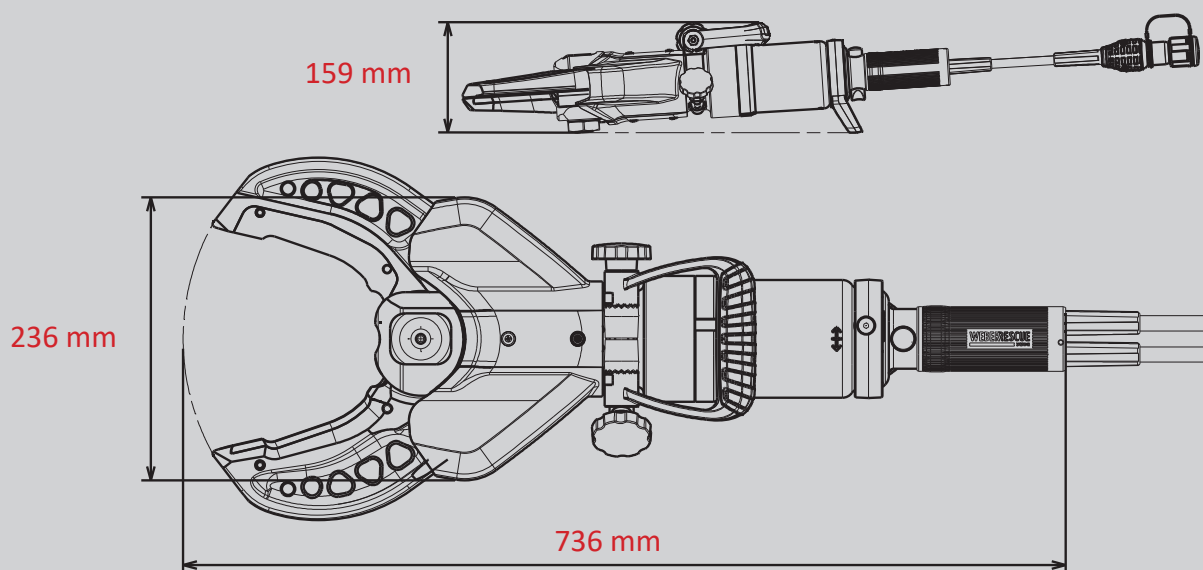
Part no.  
**1093279**



-  PLUS
-  ULTIMATE
-  FORGED
-  SINGLE
-  360° HANDLE
-  PUSH-CONTROL

## Technical data:

Opening width	185 mm
Weight (ready for use)	16,7 kg
Required oil volume	0,2 l
Dimensions (LxWxH)	736 x 236 x 159 mm
Nominal pressure	700 bar
EN classification (EN 13204)	BC185J-16,7
EN cutting class (EN 13204)	1J-2K-3K-4K-5K
NFPA cutting class (NFPA 1936)	A8-B9-C7-D9-E9



Images are non-binding. We reserve the right to technical modifications.  
60004803 (190581, A, ALL, 26.06.2019)