

Cutter RSC 200 PLUS

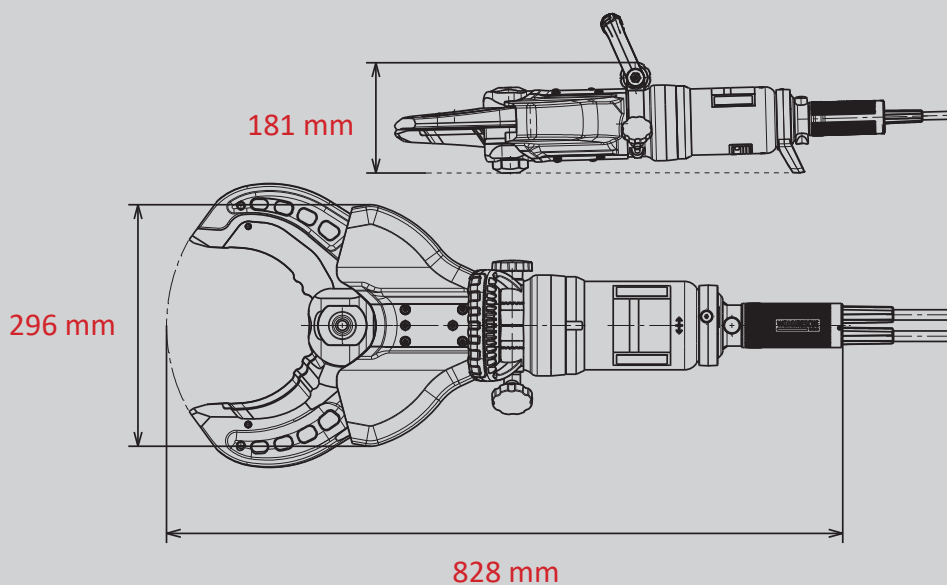
Part no.
1105445



-  **SMOOTH CUT**
-  **FORGED**
-  **HANDLE**
-  **PLUS**
-  **SINGLE**
-  **X-CHANGE**
-  **PUSH CONTROL**

Technical data:

Opening width	202 mm
Weight	22.3 kg
Dimensions (LxWxH)	828 x 296 x 181 mm
Nominal pressure	700 bar
EN cutting class (EN 13204)	CC202K-22,3
EN cutting performance (EN 13204)	1K-2K-3K-4K-5K
NFPA cutting class (NFPA 1936)	A9-B9-C9-D9-E9-F5



Images are non-binding. We reserve the right to technical modifications.
01/2025A